

Eco-Story LED LARGE WALL PACK

Features

- A variety of voltage configurations: 120-277V and 347V
- Sealed die-casting housing for outdoor applications
- Replaces a 250-400W metal halide
- Lumen output from 8000-12000lm
- Polycarbonate optical lens with UV stabilizers
- Built-in UL class 2 driver for optional photocell
- Easy installation, contractor-friendly design
- UL and DLC Listed



Applications

- Security, pathway and perimeter lighting
- Building entryways and walkways



Specification

Specification/ Model	ECOWP90W50K	ECOWP100W50K	ECOWP145W50K	ECOWP155W50K
Input Power	90W	100W	145W	155W
Lumens output	8000lm	8000lm	12000lm	12000lm
Efficacy	89lm/W	80lm/W	83lm/W	77lm/W
CRI	80			
Color Temperature	5000K			
Input Voltage	120-277 VAC	300-430 VAC	120-277 VAC	300-430 VAC
Finish Color	Dark Bronze, Black, White			
Lens	Polycarbonate with Anti UV			
Mounting	Fits electrical boxes or wall mounts directly			

Ordering Guide

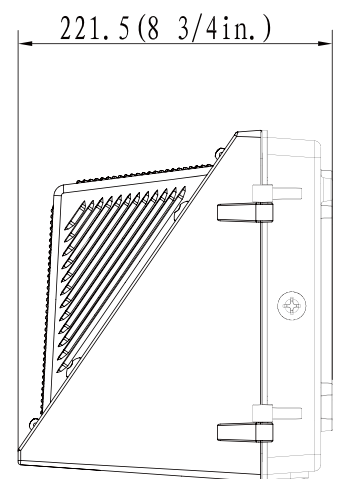
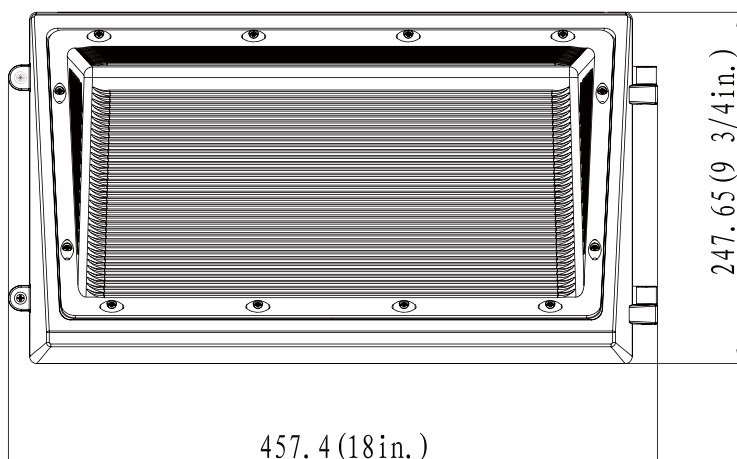
EXAMPLE : ECO WP 90W 40K D C P1

Lamp Type	Power Consumption	Input Voltage	CCT	Finish	Accessory (Option)	Sensor (Option)
WP Wall Pack	90W 90Watts	27V 120-277V	27K 2700K	D Dark Bronze	C Cap	(Blank) without Photocell
	100W 100Watts	34V 300-430V	30K 3000K	B Black		P1 120V Photocell
	145W 145Watts		40K 4000K	W White		P2 230V/277V Photocell
	155W 145Watts		50K 5000K			

- NOTES
- 277V driver operates on 120-277V (50/60 Hz), Specify 120 and 208-277 options only when ordering with photocell.
 - 90W and 145W are limited to 100-277V input only; 100W and 155W are limited to 347V input only.

Dimension

unit: inch



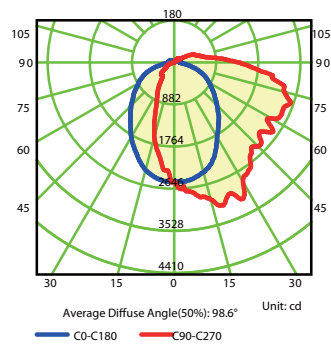
Energy Saving Replacement

ECO-STORY MODEL	Replacing
90W and 100W LED	250W MH
145W and 155W LED	400W MH

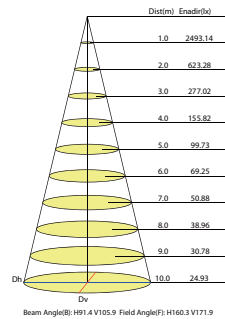
Photometrics

ECOWP90W50KYYY

Luminous Intensity Distribution Curve

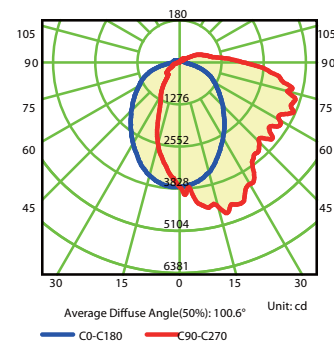


Illuminance at a Distance

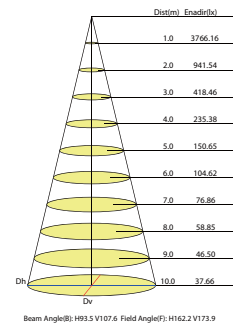


ECPWP140W50KYYY

Luminous Intensity Distribution Curve



Illuminance at a Distance



ECO-STORY

151 Newbury Street
Portland, ME. 04101
www.eco-story.com